



Catalogue

MH-01-902

Meihsin AC-powered Adjustable Hospital Bed (Non-Sterile)

Established In 1968

Specialized In Ergonomic, Modular & Customized Medical Products

Table Of Contents



Size	1
------	---

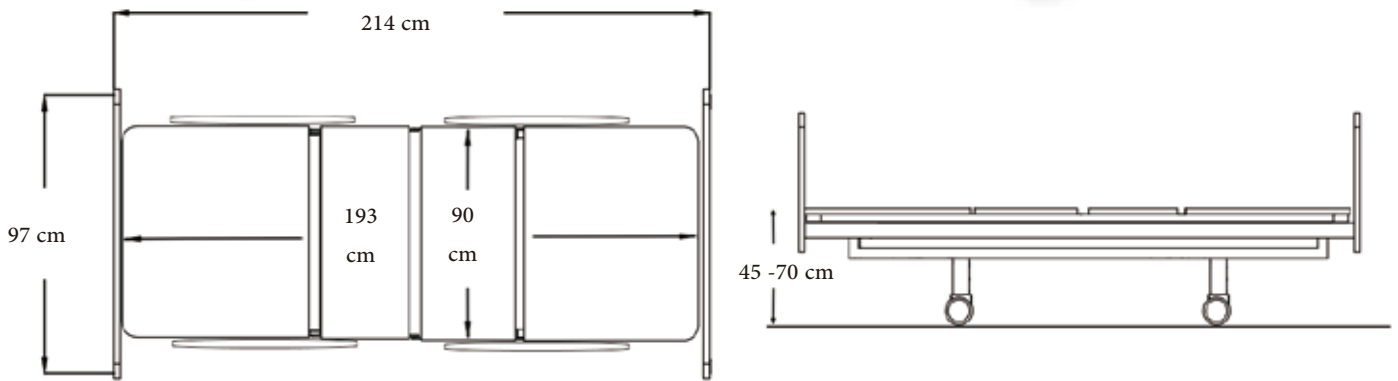
Feature	2
---------	---

Customized Examples	4
---------------------	---

There is $\pm 5\%$ tolerance in all dimensions in this catalogue.

Mei Hsin reserves all rights to amend appearance, size and specification of products subject to change without prior notices.

Size



Bed Body	Mattress Platform	Hi-Lo
Siderails Up L214 cm x W110 cm		 0 - 70°
	L193 cm x W90 cm	 0 - 40°
Siderails Down L214 cm x W97 cm		 45 - 70cm

Bed Body, Mattress Platform & Hi-Lo Can Be Customized With MOQ.

There is ±5% tolerance in all dimensions in this catalogue.

Feature

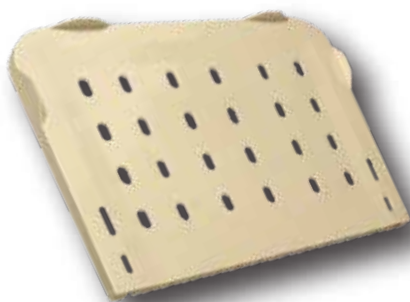


Powertrain: 3 Linear Actuators

1. Siderail controls provide back, knee, Hi-Lo & auto-contour controls on bilateral sides of siderails.
2. Voltage & Frequency: 110V/60HZ
3. Safety latches of wire connection and power indicator provided in ECU.

Bed Body

1. Made of 30mmx60mm steel tubes with powder coatings.
2. IV holes & drainage bag hangers provided.



Detachable ABS Mattress Platform

1. Detachable function provide modular maintenance and easy-wash function.
2. Built-in ventilation holes, restraint belt holes and mattress stoppers provided.



Detachable Head&Foot Boards

1. Material: ABS
2. Steel hooks, built-in safety locks & bumpers equipped.

Central Locking System

1. 5" dust-proof castors enable 360° rotation.
2. Pedal Lever Horizontal = Unlock
Pedal Lever Down = lock
3. Directional lock castors are optional.

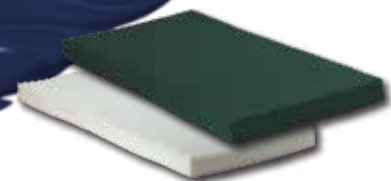


Rotary Tuck Away Siderails

1. Material: ABS
2. Individual replacement in ABS siderails and siderails base assembly provide easy maintenance.

Standard Accessory

8cm tall waterproof mattress



Demostration Video

Models can be customized with MOQ according to specific requests.
Contact us to find more customized information.

Customized Examples

Customization: Directional Castor, Antibacterial Powder Coatings, CPR Function



Customization: Directional Castor, Antibacterial Powder Coatings, Pull Down Tuck Away Siderails, Hand controller



Customization: Dust-Proof Castors, CPR Function, Attendant Control Panel (ACP)



Memo



Contact Information



+886 4 - 7569272



+886 4 - 7563726



meihsin.sales@msa.hinet.net



<http://www.meihsin.com.tw>



No.53, Xin'an Road, Hemei Township,
Changhua County 508009, Taiwan