



Catalogue

MH-01-909

Meihsin AC-powered Adjustable Hospital Bed (Non-Sterile)

Established In 1968

Specialized In Ergonomic, Modular & Customized Medical Products

Table Of Contents



Size	1
------	---

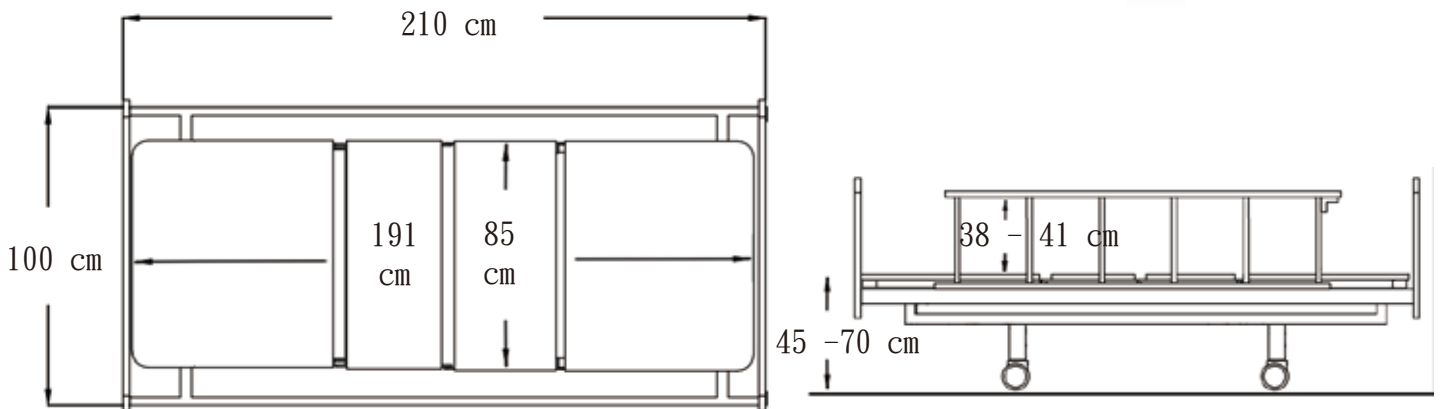
Feature	2
---------	---

Customized Examples	4
---------------------	---

There is $\pm 5\%$ tolerance in all dimensions in this catalogue.

Mei Hsin reserves all rights to amend appearance, size and specification of products subject to change without prior notices.

Size



Bed Body	Mattress Platform	Hi-Lo
L210 cm x W100 cm	L191 cm x W85 cm	 0 - 70°
		 0 - 40°
		 45 - 70cm

Bed Body, Mattress Platform & Hi-Lo Can Be Customized With MOQ.

There is ±5% tolerance in all dimensions in this catalogue.

Feature



Powertrain: 3 Linear Actuators

1. Hand controller provides back, knee, Hi-Lo & auto-contour controls.
2. Voltage & Frequency: 110V/60HZ
3. Safety latches of wire connection and power indicator provided in ECU.

Bed Body

1. Made of 30mmx60mm steel tubes with powder coatings.
2. IV holes & drainage bag hangers provided.



Steel Mattress Platform

1. Material: Steel with powder coatings
2. Built-in ventilation holes, restraint belt holes and mattress stoppers provided.



Detachable Head&Foot Boards

1. Material: Plastic
2. Steel hooks, built-in safety locks & bumpers equipped.

Central Locking System

1. 5" dust-proof castors enable 360° rotation.
2. Pedal Lever Horizontal = Unlock
Pedal Lever Down = lock
3. Directional lock castors are optional.



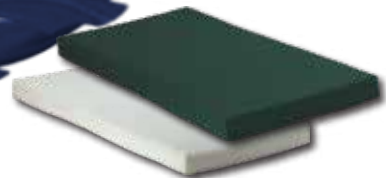
Collapsible Siderails

1. Material: aluminum alloy
2. Size: L150cm x W(H)41cm
3. Built-in pinch guard
4. Siderail base tube material:
steel tubes with powder coatings



Standard Accessory

8cm tall waterproof mattress



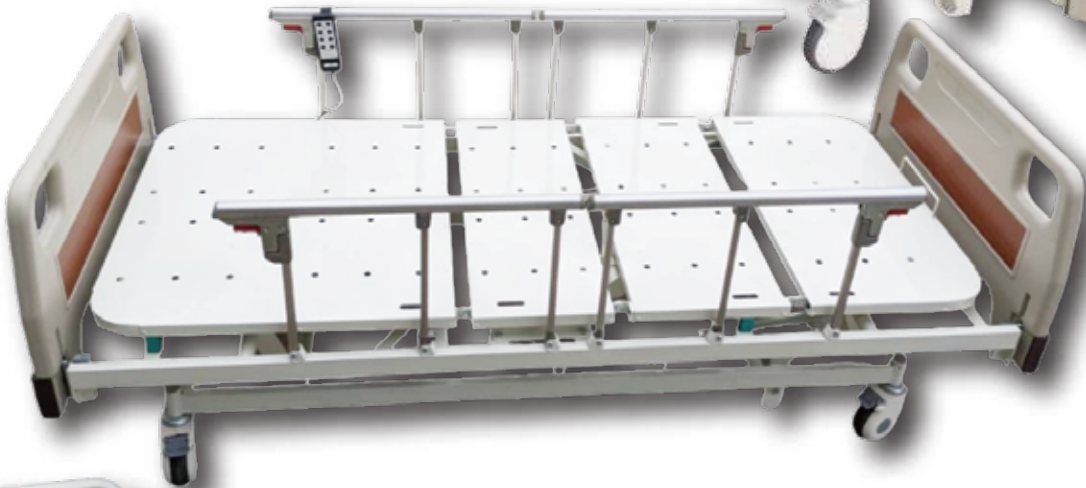
Demostration Video

Models can be customized with MOQ according to specific requests.

Customized Examples



Customization: Collapsible Split Siderails



Customization: Dust-Proof Castors, Collapsible Split Siderails



Customization: Vertical Raise Structure, Built-in Wheel Bumper In Head&Foot Boards, 10 Gears Calf Adjustment, Mattress Platform Lifted to Fixed Height for ECU Maintenance, Auto Regression



Memo



Contact Information



+886 - 4 - 7569272



+886 - 4 - 7563726



meihsin.sales@msa.hinet.net



<http://www.meihsin.com.tw>



No.53, Xin'an Road, Hemei Township,
Changhua County 508009, Taiwan