



# Catalogue

## MH-03-803

---

Meihsin Manual Adjustable Hospital Bed (Non-Sterile)

Established In 1968

Specialized In Ergonomic, Modular & Customized Medical Products

---

# Table Of Contents

---



Size	1
------	---

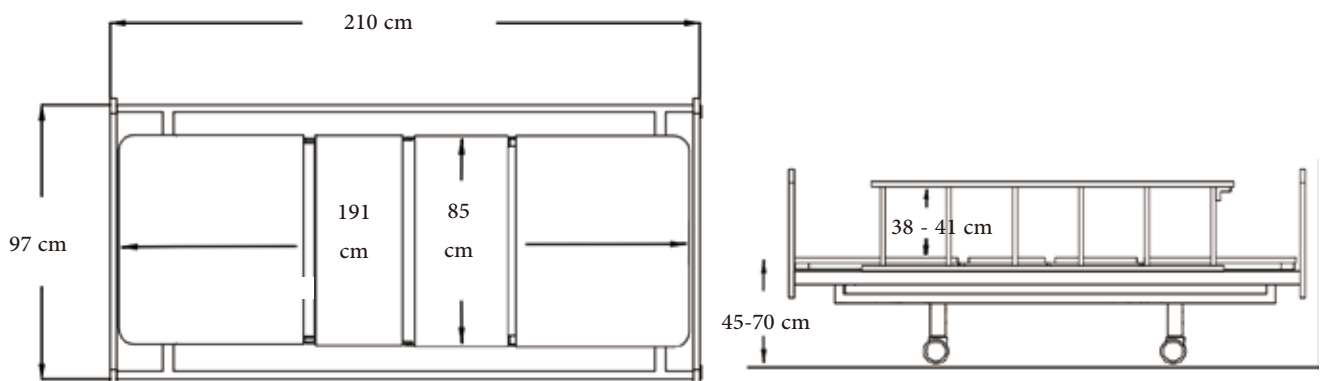
Feature	2
---------	---

Customized Examples	4
---------------------	---

There is  $\pm 5\%$  tolerance in all dimensions in this catalogue.

Mei Hsin reserves all rights to amend appearance, size and specification of products subject to change without prior notices.

# Size



Bed Body	Mattress Platform	Hi-Lo
L210 cm x W97 cm	L191 cm x W85 cm	 0 - 70°
		 0 - 40°
		 45 - 70cm

Bed Body, Mattress Platform & Hi-Lo Can Be Customized With MOQ.

There is ±5% tolerance in all dimensions in this catalogue.

# Feature



## Powertrain: 3 Collapsible Cranks

Collapsible cranks provide back, knee, Hi-Lo.

## Bed Body

1. Made of 30mmx60mm steel tubes with powder coatings.
2. IV holes & drainage bag hangers provided.



## Steel Mattress Platform

1. Material: Steel with powder coatings
2. Built-in ventilation holes, restraint belt holes and mattress stoppers provided.



## Detachable Head&Foot Boards

1. Material: Plastic
2. Steel hooks, built-in safety locks & bumpers equipped.

## Lockable Castors

1. 5" lockable castors enable 360° rotation.
2. Pedal Horizontal = Unlock  
Pedal Down = Lock



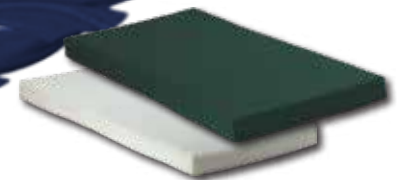
## Collapsible Siderails

1. Material: aluminum alloy
2. Size: L150cm x W(H)38cm
3. Built-in pinch guard
4. Compatible with built-in siderail base on bed body



## Standard Accessory

8cm tall waterproof mattress



## Demostration Video

Models can be customized with MOQ according to specific requests.  
Contact us to find more customized information.

Customized Examples

Customization:

Antibacterial Powder Coatings,  
Collapsible Mattress Stoppers,  
ABS Mattress Platform,  
Central Locking System



Customization:

Antibacterial Powder Coatings,  
Collapsible Split Siderails,  
ABS Mattress Platform,



Customization:

5" Dust-Proof Castors,  
ABS Collapsible Siderails



# Memo

---



## Contact Information



+886 - 4 - 7569272



+886 - 4 - 7563726



meihsin.sales@msa.hinet.net



<http://www.meihsin.com.tw>



No.53, Xin'an Road, Hemei Township,  
Changhua County 508009, Taiwan