



Catalogue

MH-900A

Meihsin Manual Adjustable Hospital Bed (Non-Sterile)

Established In 1968

Specialized In Ergonomic, Modular & Customized Medical Products

Table Of Contents



Size	1
------	---

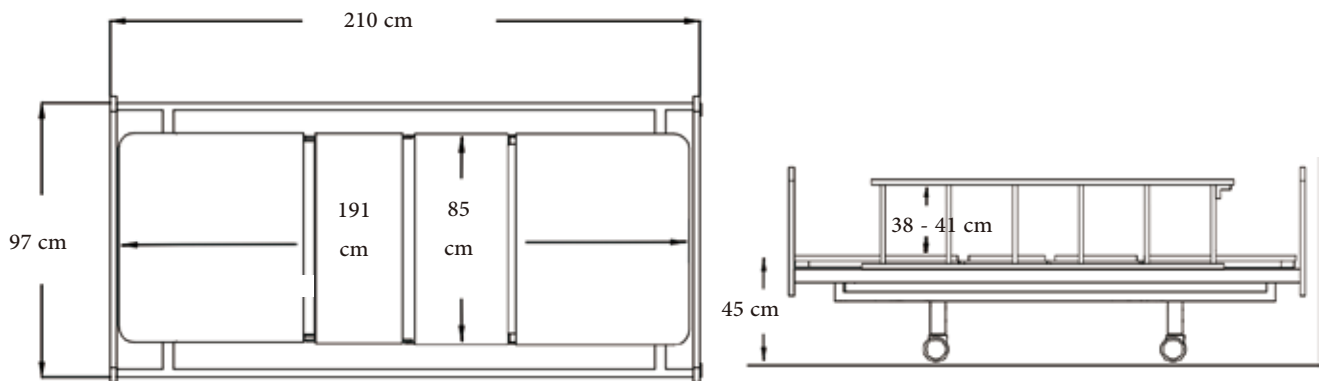
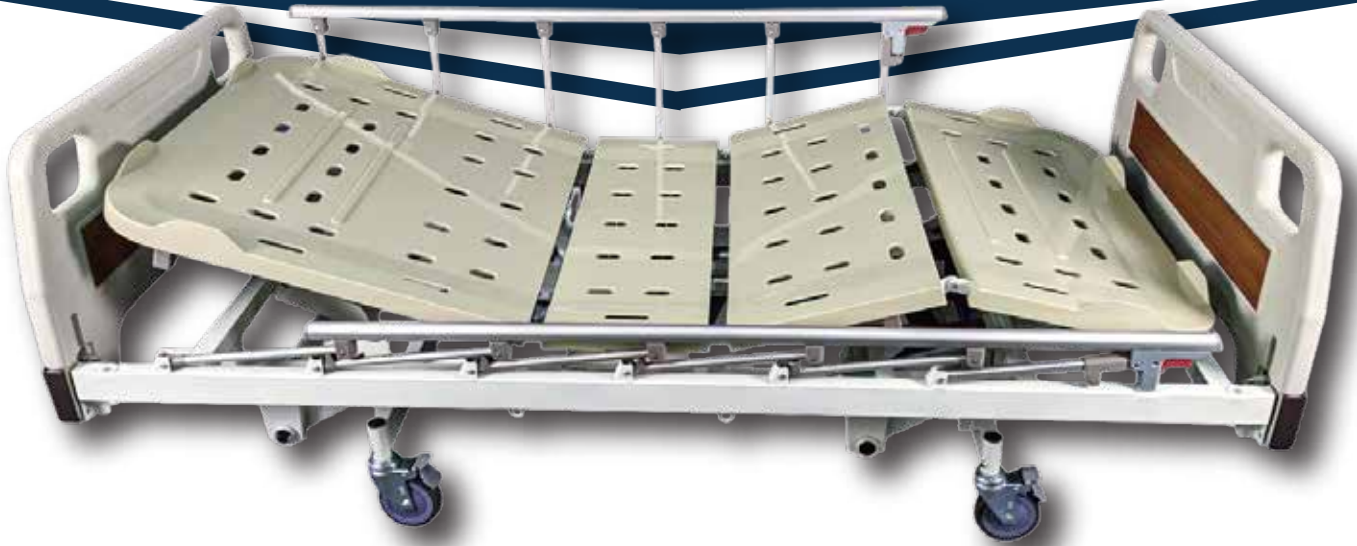
Feature	2
---------	---

Customized Examples	4
---------------------	---

There is $\pm 5\%$ tolerance in all dimensions in this catalogue.

Mei Hsin reserves all rights to amend appearance, size and specification of products subject to change without prior notices.

Size



Bed Body	Mattress Platform	Hi-Lo
L210 cm x W97 cm	L191 cm x W85 cm	 0 - 70°
		 0 - 40°
		 N/A

Bed Body, Mattress Platform & Hi-Lo Can Be Customized With MOQ.

There is ±5% tolerance in all dimensions in this catalogue.

Feature

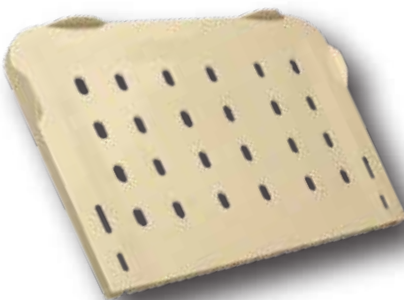


Powertrain: 2 Collapsible Cranks

Collapsible cranks provide back and knee.

Bed Body

1. Made of 30mmx60mm steel tubes with powder coatings.
2. IV holes & drainage bag hangers provided.



Detachable Plastic Mattress Platform

1. Detachable function provide modular maintenance and easy-wash function.
2. Built-in ventilation holes, restraint belt holes and mattress stoppers provided.



Detachable Head&Foot Boards

1. Material: Plastic
2. Steel hooks, built-in safety locks & bumpers equipped.

Lockable Castors

1. 5" lockable castors enable 360° rotation.
2. Pedal Horizontal = Unlock
Pedal Down = Lock



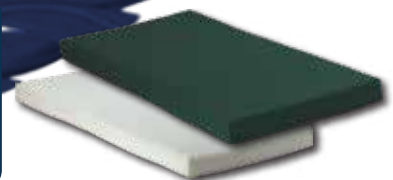
Collapsible Siderails

1. Material: aluminum alloy
2. Size: L150cm x W(H)38cm
3. Built-in pinch guard
4. Compatible with built-in siderail base on bed body



Standard Accessory

8cm tall waterproof mattress



Demostration Video

Models can be customized with MOQ according to specific requests.
Contact us to find more customized information.

Customized Examples



Customization: Antibacterial Powder Coatings, Collapsible Mattress Stoppers,
Central Locking System



Customization:
Antibacterial Powder Coatings,
Collapsible Split Siderails,



Customization:
5" Dust-Proof Castors,
ABS Collapsible Siderails

Memo



Contact Information



+886 - 4 - 7569272



+886 - 4 - 7563726



meihsin.sales@msa.hinet.net



<http://www.meihsin.com.tw>



No.53, Xin'an Road, Hemei Township,
Changhua County 508009, Taiwan