



Catalogue

MB-202

Meihsin Manual Adjustable Hospital Bed (Non-Sterile)

Established In 1968

Specialized In Ergonomic, Modular & Customized Medical Products

Table Of Contents

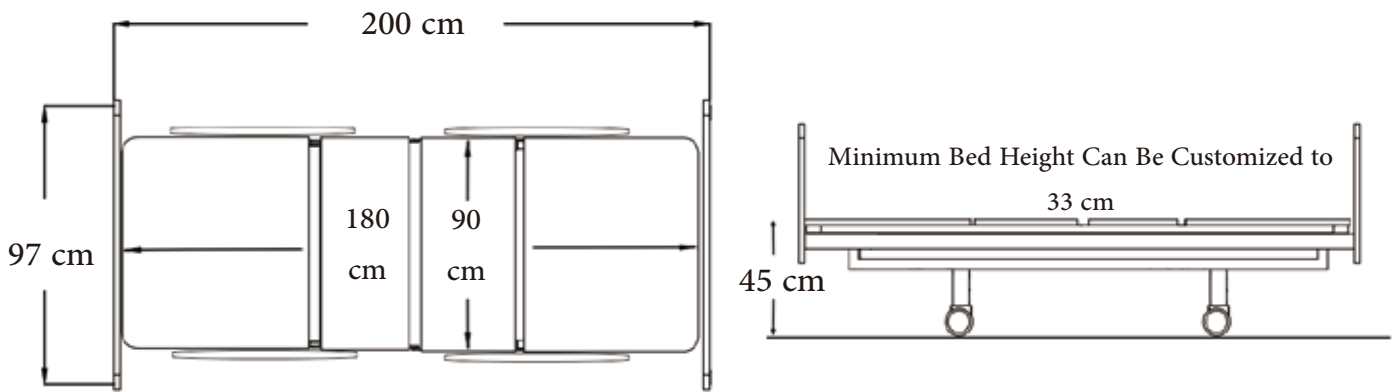


Size	1
Feature Introduction	2

There is $\pm 5\%$ tolerance in all dimensions in this catalogue.

Mei Hsin reserves all rights to amend appearance, size and specification of products subject to change without prior notices.

Size



Bed Body	Mattress Platform	Hi-Lo
L 200 cm x W 97 cm	L 180 cm x W 90 cm	N/A

There is $\pm 5\%$ tolerance in all dimensions in this catalogue.

Feature



Bed Body

Made of 1.6mm thickness steel tubes with powder coatings.



Mattress Platform

Steel plates with powder coatings.
Fixed mattress platform with built-in ventilation holes and compatible with restraint belts.



Detachable Head&Foot Boards

Made of plastic materials.

Equipped with steel hooks and built-in safety locks provided.

Lockable Castors

5" lockable castors able to rotate 360 degrees.



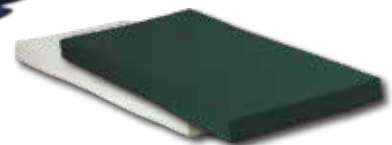
Pull Down Tuck Away Siderails

Made of plastic materials.

Siderails equipped with gas-springs

Standard Accessory

8cm tall waterproof mattress



Models can be customized with MOQ according to specific requests.

Contact us to find more customized information.

Memo



Memo



Contact Information



+886 4 - 7569272



+886 4 - 7563726



meihsin.sales@msa.hinet.net



<http://www.meihsin.com.tw>



No.53, Xin'an Road, Hemei Township,
Changhua County 508009, Taiwan