



Catalogue

MH-03-602C

Meihsin Manual Adjustable Hospital Bed (Non-Sterile)

Established In 1968

Specialized In Ergonomic, Modular & Customized Medical Products

Table Of Contents



Size	1
------	---

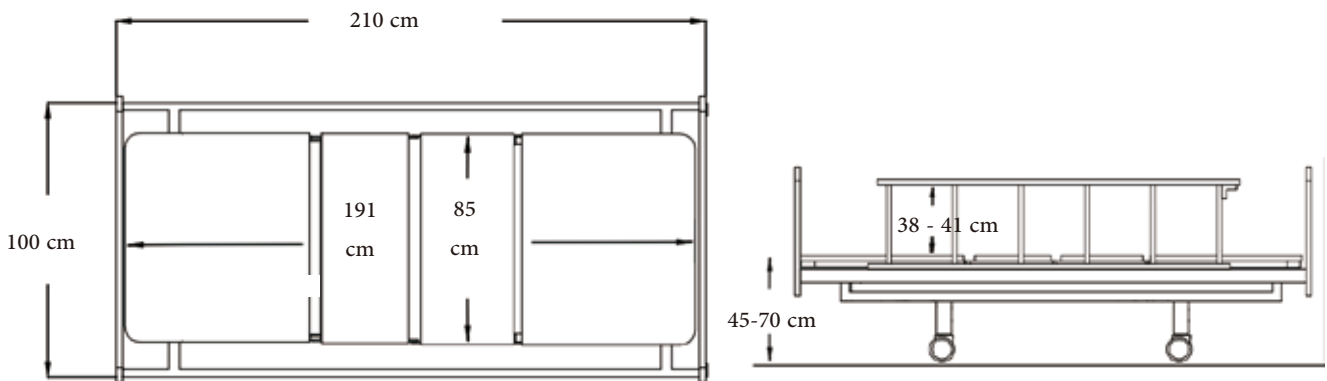
Feature	2
---------	---

Customized Examples	4
---------------------	---

There is $\pm 5\%$ tolerance in all dimensions in this catalogue.

Mei Hsin reserves all rights to amend appearance, size and specification of products subject to change without prior notices.

Size



Bed Body	Mattress Platform	Hi-Lo
L210 cm x W100 cm	L191 cm x W85 cm	 0 - 70°
		 0 - 40°
		 45 - 70cm

Bed Body, Mattress Platform & Hi-Lo Can Be Customized With MOQ.

There is ±5% tolerance in all dimensions in this catalogue.

Feature



Powertrain: 3 Collapsible Cranks

Collapsible cranks provide back, knee, Hi-Lo.

Bed Body

1. Made of 30mmx60mm steel tubes with powder coatings.
2. IV holes & drainage bag hangers provided.



Steel Mattress Platform

1. Material: Steel with powder coatings
2. Built-in ventilation holes, restraint belt holes and mattress stoppers provided.



Detachable Head&Foot Boards

1. Material: Plastic
2. Steel hooks, built-in safety locks & bumpers equipped.

Central Locking System

1. 5" dust-proof castors enable 360° rotation.
2. Pedal Lever Horizontal = Unlock
Pedal Lever Down = Lock
3. One directional lock castor equipped.



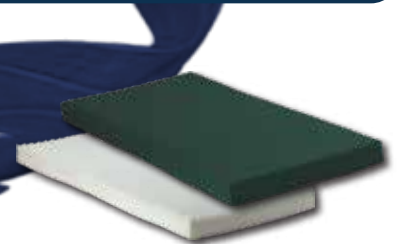
Collapsible Siderails

1. Material: aluminum alloy
2. Size: L150cm x W(H)41cm
3. Built-in pinch guard
4. Siderail base tube material: steel tubes with powder coatings



Standard Accessory

8cm tall waterproof mattress



Demostration Video

Models can be customized with MOQ according to specific requests.
Contact us to find more customized information.

Customized Examples

Customization: Antibacterial Powder Coatings, Collapsible Mattress Stoppers, ABS Mattress Platform



Customization:
ABS Mattress Platform,
Antibacterial Powder Coatings,
Collapsible Split Siderails,
5" Lockable Castors



Customization:
5" Dust-Proof Castors,
ABS Collapsible Siderails

Memo



Contact Information



+886 - 4 - 7569272



+886 - 4 - 7563726



meihsin.sales@msa.hinet.net



<http://www.meihsin.com.tw>



No.53, Xin'an Road, Hemei Township,
Changhua County 508009, Taiwan